

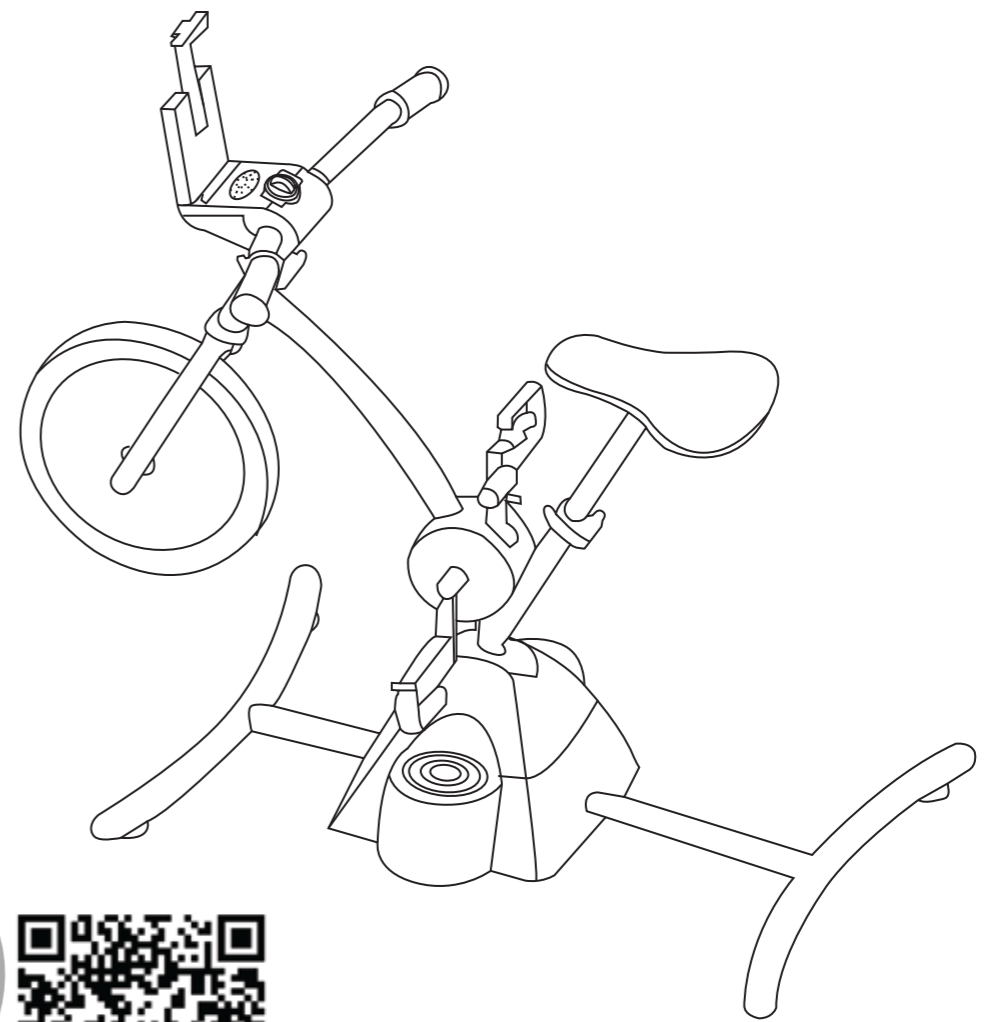


Pelican Explore & Fit Cycle™

SKU: 657917

AGES 3-7
ADULT ASSEMBLY REQUIRED
ADULT BATTERY INSTALLATION REQUIRED

ASSEMBLY INSTRUCTIONS



Thank you for choosing the Little Tikes® Pelican Explore & Fit Cycle™.
We strive to provide a durable, easy-to-assemble toy that is made to last,
giving your child years of imaginative, engaging fun!

IMPORTANT INFORMATION YOU SHOULD KNOW!

- Read through all the instructions first.
- Clear a flat surface to lay out all the materials so that everything is close at hand.
- Illustrations are for reference only. Styles may vary from actual contents.
- Please remove all packaging including tags, ties & tacking stitches before giving this product to a child.
- **Make sure you have all contents before assembling. If anything is missing or if you have questions, we're here to help. Give our consumer service team a call at 1-800-321-0183.**

Let's be careful!

⚠️ WARNING!

- ADULT ASSEMBLY REQUIRED.
- Prior to assembly, this package contains small parts: hardware which is a choking hazard and may contain sharp edges and sharp points. Keep away from children until assembled.
- Please keep this manual as it contains important information.
- This product is intended for indoor use only.
- This product is intended for use by children ages 3-7.
- Place on flat, level surfaces free of objects that could cause the cycle to tip over. Also, place out of the way of household traffic.
- Never use near staircase, steps, pools, hot surfaces, or areas that may be hazardous to a child.
- Do not use if damaged or broken.
- Maximum weight limit: 70 lbs (23 Kg)

Your cycle's fun features!

FREE Trainer & Adventure Videos!

Use your smart device to scan the code and easily access tons of fun videos as your kid pedals along!



Rocking Cycle!

Your cycle is spring loaded. Kids can shift their weight back and forth to move the cycle and enhance the adventures they go on!

Built-in Audio Adventures

- 1 Move the dial on the handlebar's board to number 1 and explore the jungle.
- 2 Move the dial on the handlebar's board to number 2 and take a trip to the ice cream shop.
- 3 Move the dial on the handlebar's board to number 3 and sail the seven seas.

Bluetooth®



Connect your smart device to the cycle.

1. Move the dial on the handlebar's board to the Bluetooth® symbol.
2. Open the settings menu on your device.
3. Select Bluetooth® on your device and make sure it is on.
4. Your device will search for the cycle.
5. Select the name "Little Tikes Explore&FitCycle" to connect to your device.

IMPORTANT BLUETOOTH® INFORMATION

- To turn off Bluetooth®, move the dial to any of the audio files. Move it back to the Bluetooth® icon to connect it again.
- To disconnect the device or want to connect another device, press the "language selection" button and hold for 2 seconds until the "beep" sound is heard while it is in Bluetooth® mode.
- If your device has connected to "Little Tikes Explore&Fit Cycle" before, it won't connect again. To connect it again, delete "Little Tikes Explore&Fit Cycle" from your device. Turn off and then turn back on Bluetooth® on your device. Finally, connect to "Little Tikes Explore&Fit Cycle" on your device.

© The Little Tikes Company, an MGA Entertainment company. LITTLE TIKES® is a trademark of Little Tikes in the U.S. and other countries. All logos, names, characters, likenesses, images, slogans, and packaging appearance are the property of Little Tikes.

The Bluetooth® word mark and logos are registered trademarks owned by Bluetooth SIG, Inc. and any use of such marks by MGA Entertainment, Inc. is under license. Other trademarks and trade names are those of their respective owners.

Printed in China • 0521-1-E/INT

CONSUMER SERVICE

Little Tikes Consumer Service
www.littletikes.com
 2180 Barlow Road
 Hudson, Ohio 44236 U.S.A.
 Email: service@littletikescares.com
 1-800-321-0183 Monday-Friday

MGA Entertainment UK Ltd.
www.littletikes.co.uk
 50 Presley Way, Crownhill, Milton
 Keynes, MK8 0ES, Bucks, UK
support@littletikesstore.co.uk
 Tel: +0 800 521 558

MGA Entertainment (Netherlands) B.V.
 Baronie 68-70
 2404 XG Alphen a/d Rijn
 The Netherlands
 Tel: +31 (0) 172 758038

Imported by MGA Entertainment Australia Pty Ltd
www.littletikes.com.au
 Suite 2.02, 32 Delhi Road
 Macquarie Park NSW 2113
 1300 059 676



LIMITED WARRANTY

The Little Tikes Company makes fun, high quality toys. We warrant to the original purchaser that this product is free of defects in materials or workmanship for one year * from the date of purchase (dated sales receipt is required for proof of purchase). At the sole election of The Little Tikes Company, the only remedies available under this warranty will be the replacement of the defective part or replacement of the product. This warranty is valid only if the product has been assembled and maintained per the instructions. This warranty does not cover abuse, accident, cosmetic issues such as fading or scratches from normal wear, or any other cause not arising from defects in material and workmanship. *The warranty period is three (3) months for daycare or commercial purchasers.

U.S.A and Canada: For warranty service or replacement part information, please visit our website at www.littletikes.com, call 1-800-321-0183 or write to: Consumer Service, The Little Tikes Company, 2180 Barlow Road, Hudson OH 44236, U.S.A. Some replacement parts may be available for purchase after warranty expires—contact us for details.

Outside U.S.A and Canada: Contact place of purchase for warranty service. This warranty gives you specific legal rights, and you may also have other rights, which vary from country/state to country/state. Some countries/states do not allow the exclusion or limitation of incidental or consequential damages, so the above limitation or exclusion may not apply to you.

10 Adjust the resistance

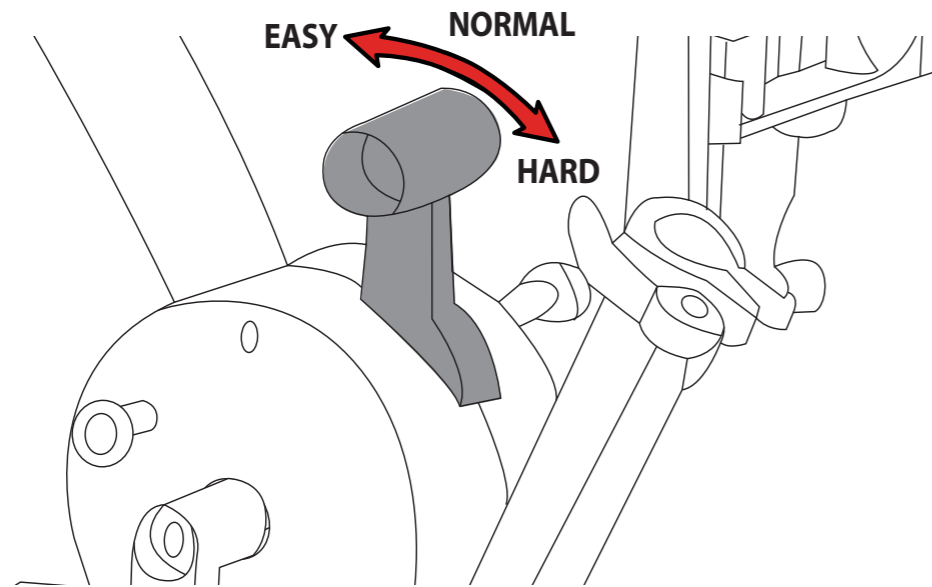
Adjust the resistance by moving the handle on the frame.

RESISTANCE SETTINGS:

Easy: Slide the handle up.

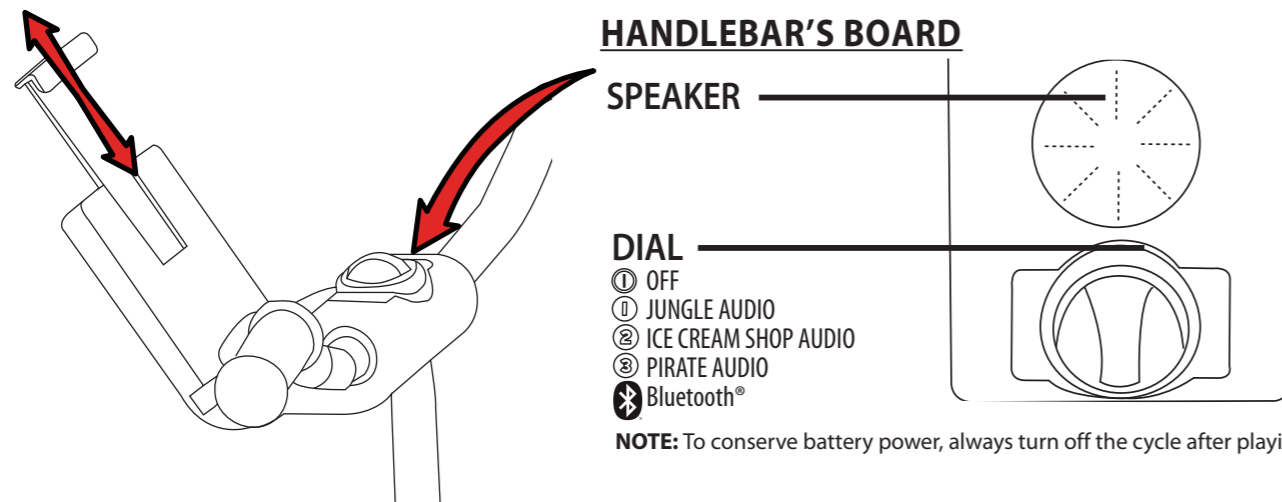
Normal: Slide the handle to the middle.

Hard: Slide the handle down.



11 Place your device

Place your device (not included) on the tech mount and adjust the clip so it is secure.



HANDLEBAR'S BOARD

SPEAKER

DIAL

- ① OFF
- ① JUNGLE AUDIO
- ② ICE CREAM SHOP AUDIO
- ③ PIRATE AUDIO
- Bluetooth®

NOTE: To conserve battery power, always turn off the cycle after playing.

Battery Safety Information. This is serious!

- Keep these instructions for future reference.
 - Requires 3 "AA" (LR6) alkaline batteries (not included). (Rechargeable batteries may be substituted.)
 - The voltage of a fully-charged, rechargeable battery is often lower than that of a fresh alkaline battery. Therefore, it is recommended that alkaline batteries be used instead of rechargeable batteries for best performance and longer play time.
 - Install batteries with the correct polarity (+ and -).
 - To avoid battery leakage:
 1. Follow the toy and battery manufacturer's installation instructions.
 2. Do not mix old and new batteries.
 3. Do not mix standard (carbon-zinc), alkaline or rechargeable batteries. Do not mix different brands of batteries. Only batteries of the same or equivalent type as recommended are to be used.
 4. When toy is not used for an extended period of time, remove batteries to prevent possible leakage and damage to the unit.
 5. Remove dead or exhausted batteries from product.
 6. Dispose of dead batteries properly; do not bury. Do not dispose of batteries in fire as they may leak or explode.
 - Make sure cover is properly installed on unit at all times.
 - Do not attempt to recharge non-rechargeable batteries.
 - Rechargeable batteries are to be removed from the toy before recharging.
 - Charging of rechargeable batteries should be done by an adult.
 - The supply terminals are not to be short circuited.
- NOTE:** If the unit stops working or doesn't work as it should, remove the batteries for a few minutes and then re-insert them. If there is still a problem, install new batteries

FCC COMPLIANCE

NOTE: This equipment has been tested and found to comply with the limits for a Class B digital device, pursuant to Part 15 of the FCC Rules. These limits are designed to provide reasonable protection against harmful interference in a residential installation. This equipment generates, uses and can radiate radio frequency energy and, if not installed and used in accordance with the instructions, may cause harmful interference to radio communications. However, there is no guarantee that interference will not occur in a particular installation. If this equipment does cause harmful interference to radio or television reception, which can be determined by turning the equipment off and on, the user is encouraged to try to correct the interference by one or more of the following measures:

- Reorient or relocate the receiving antenna.
- Increase the separation between the equipment and receiver.
- Connect the equipment into an outlet on a circuit different from that to which the receiver is connected.

• Consult the dealer or an experienced radio/TV technician for help.

This device complies with Part 15 of the FCC Rules. Operation is subject to the following two conditions: (1) This device may not cause harmful interference, and (2) this device must accept any interference received, including interference that may cause undesired operation.

Caution: Modifications not authorized by the manufacturer may void users authority to operate this device.

This device contains licence-exempt transmitter(s)/receiver(s) that comply with Innovation, Science and Economic

Development Canada's licence-exempt RSS(s). Operation is subject to the following two conditions: (1)

This device may not cause interference. (2) This device must accept any interference, including

CAN ICES-3 (B)/NMB-3(B).



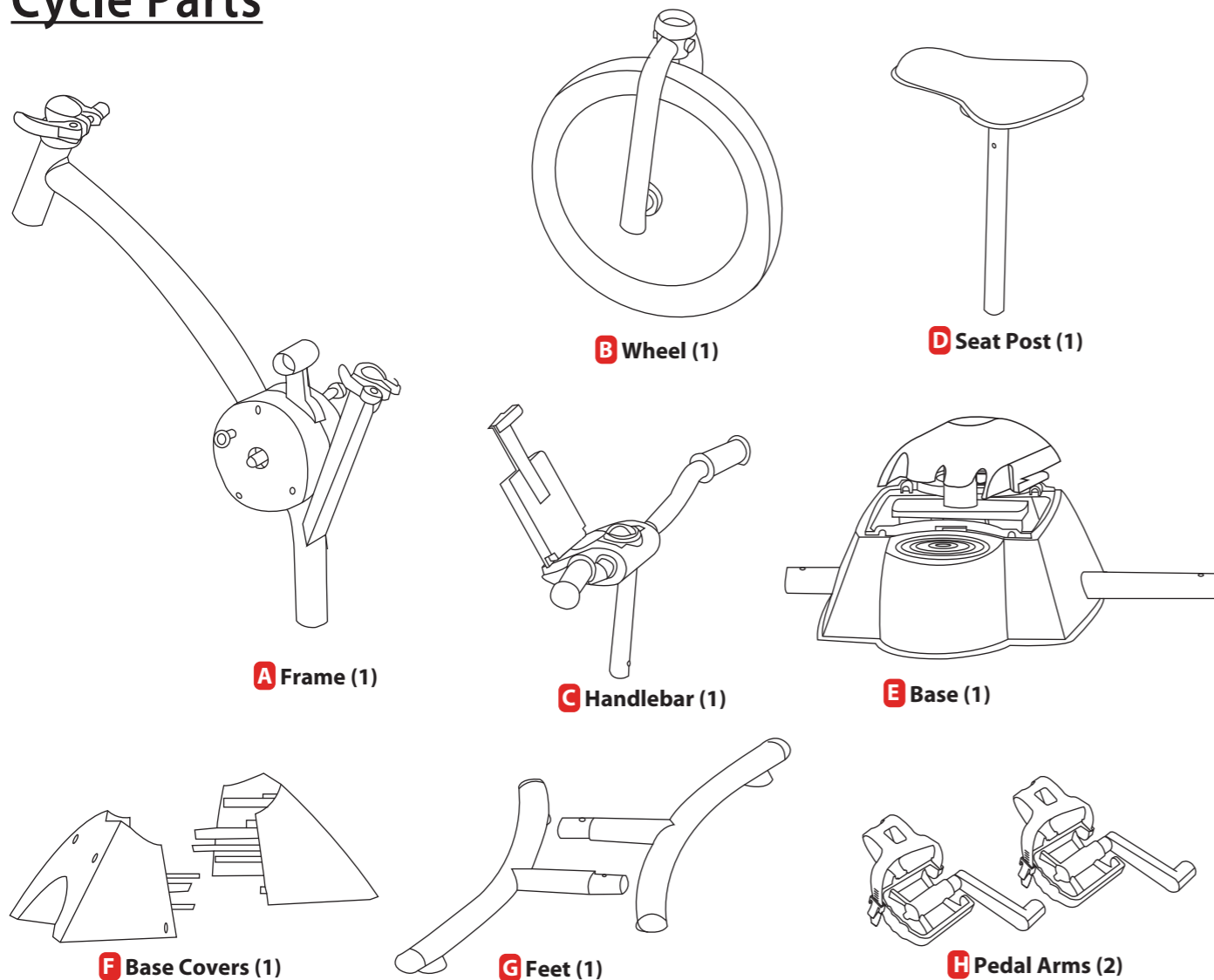
'Let's care for the environment!'

The wheeled bin symbol indicates that the product must not be disposed of with other household waste. Please use designated collection points or recycling facilities when disposing of the item. Do not treat old batteries as household waste. Take them to a designated recycling facility.

A Few Things Before You Start!

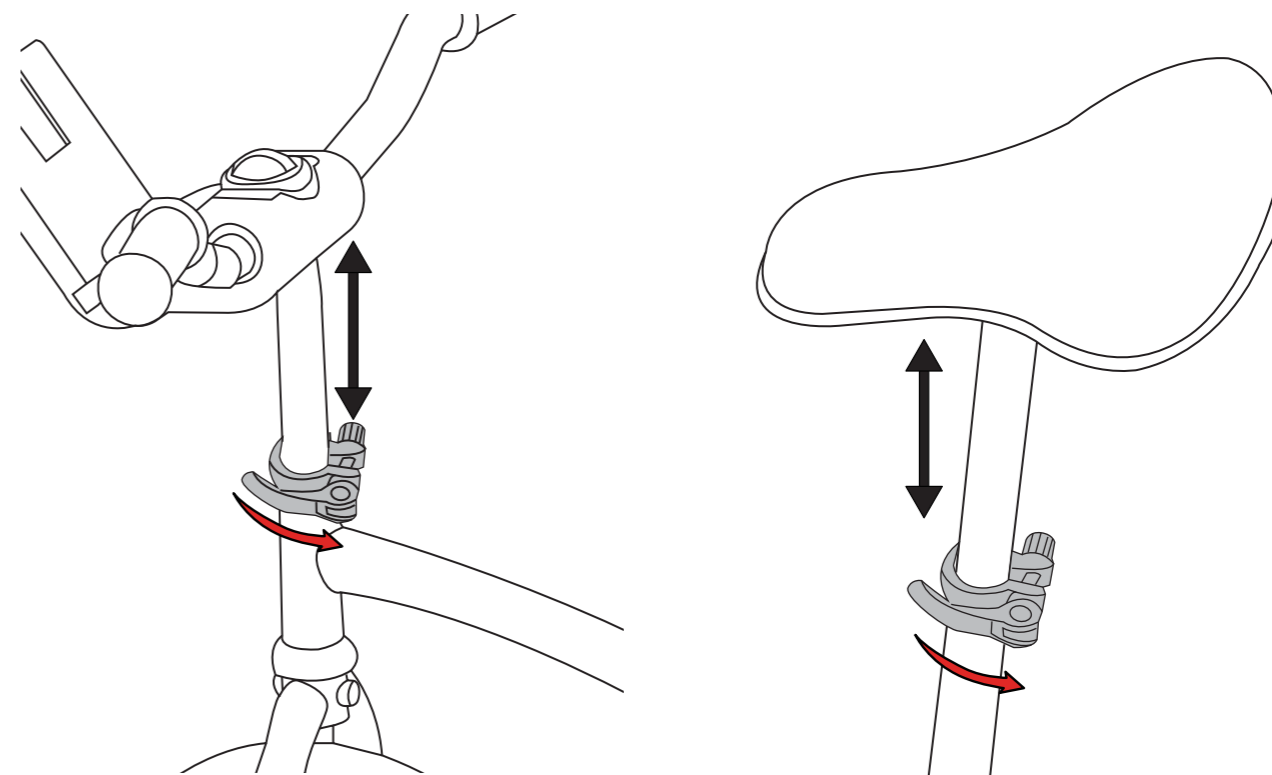
BEFORE you begin assembly, make sure you have all the parts listed below. Questions? We're here to help. Little Tikes® Consumer Service: 1-800-321-0183

Cycle Parts



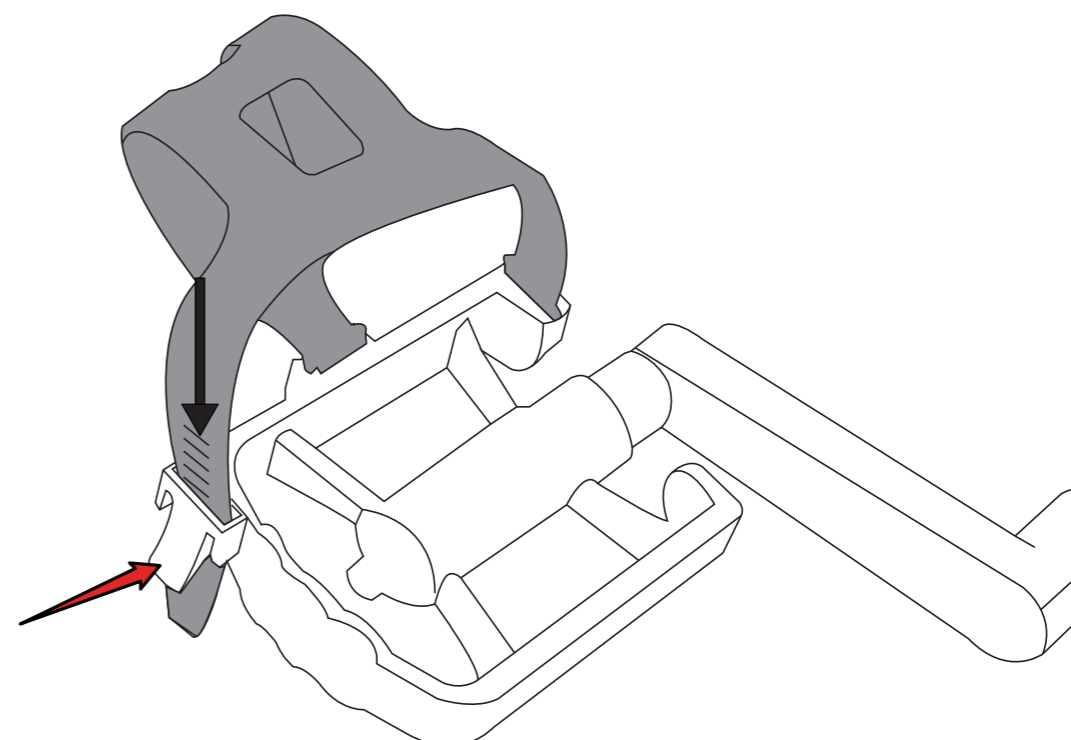
8 Adjust the handlebar's or seat's height

To adjust the height of the handlebar or seat, open the clamp. Slide the handlebar or seat post up or down to the desired height. Then, close the clamp. Turn the knob on the clamp to tighten and secure the clamp.



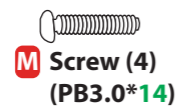
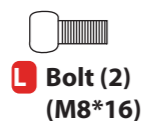
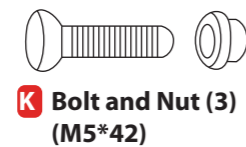
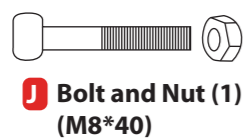
9 Buckle the toe clips

To adjust the toe clip strap, press the clip on the toe clip and slide the buckle strap up or down.

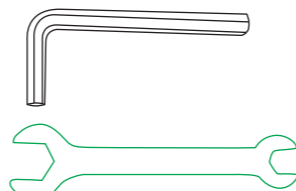


Hardware

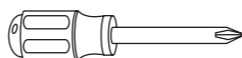
! Some packages of hardware may have extras pieces.



Included tool

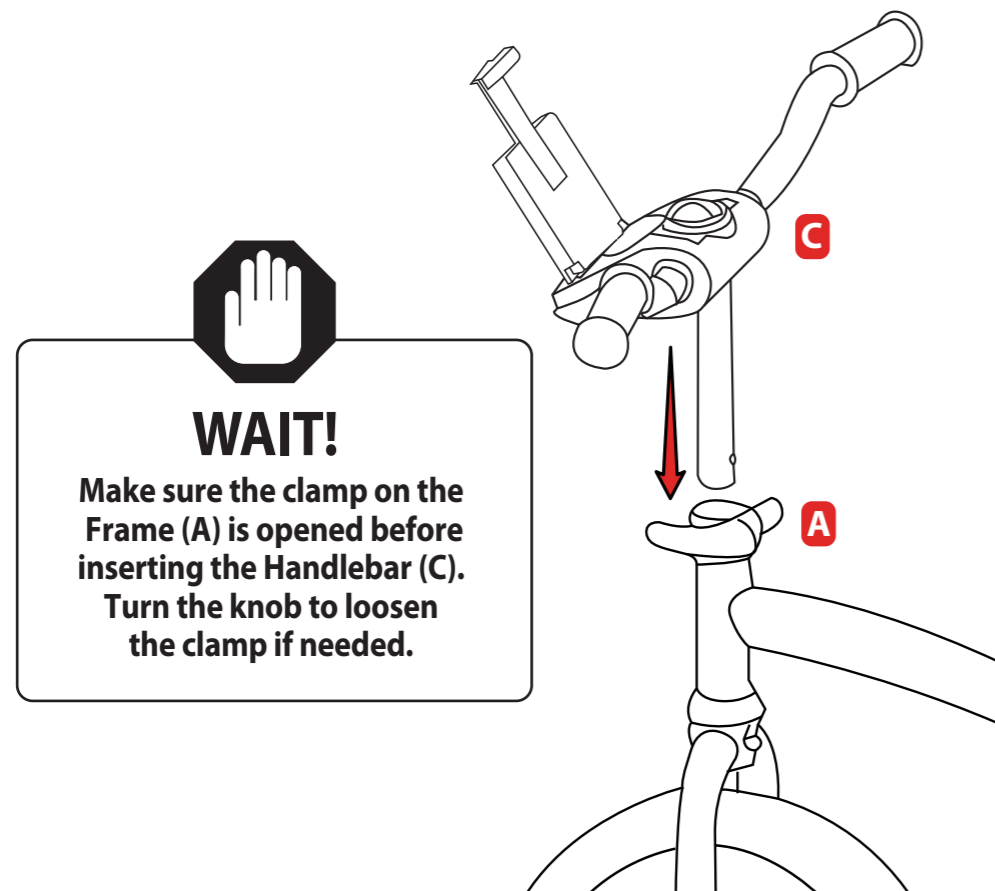


Tools required (not included)



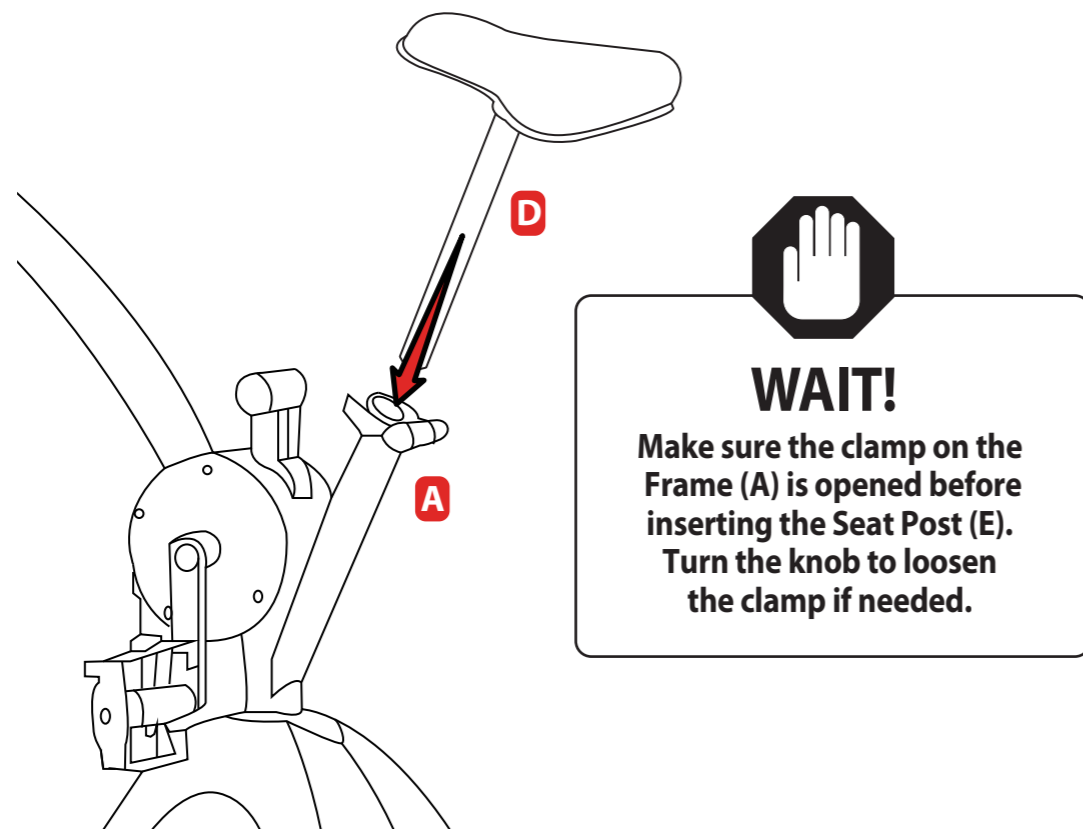
6 Time to top it off!

Insert the Handlebar (C) into the Frame (A).



7 Add the seat to the frame

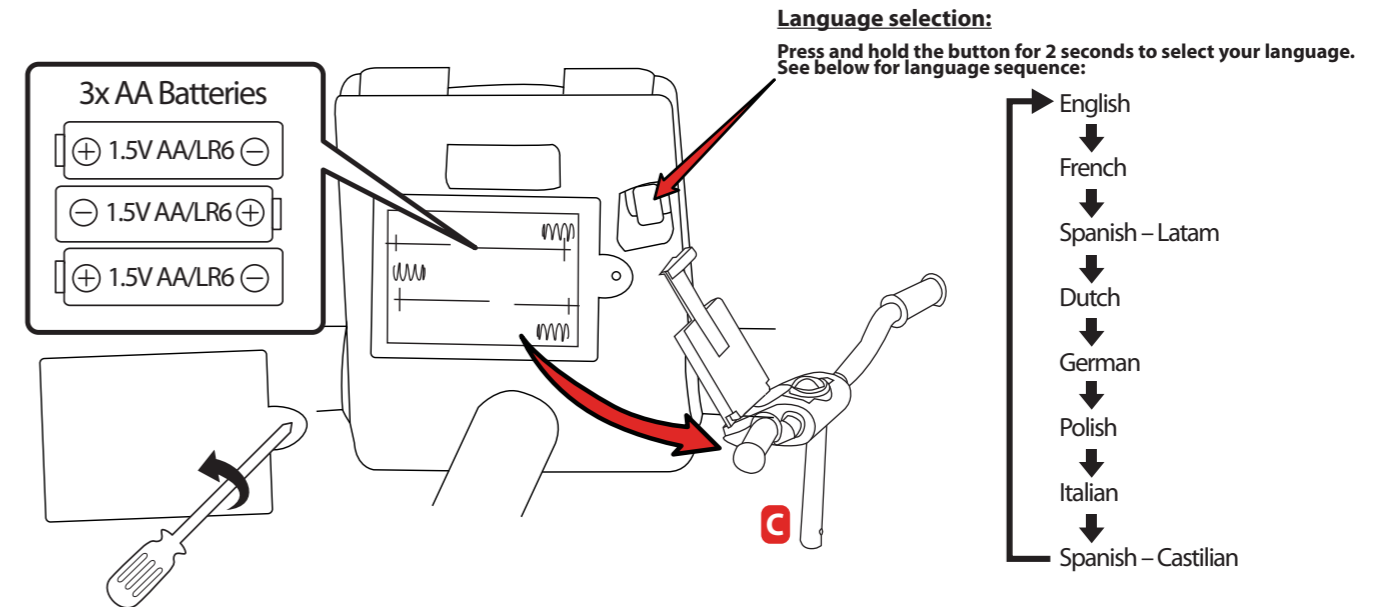
Insert the Seat Post (D) into the Frame (A).



Before you begin, install the batteries!

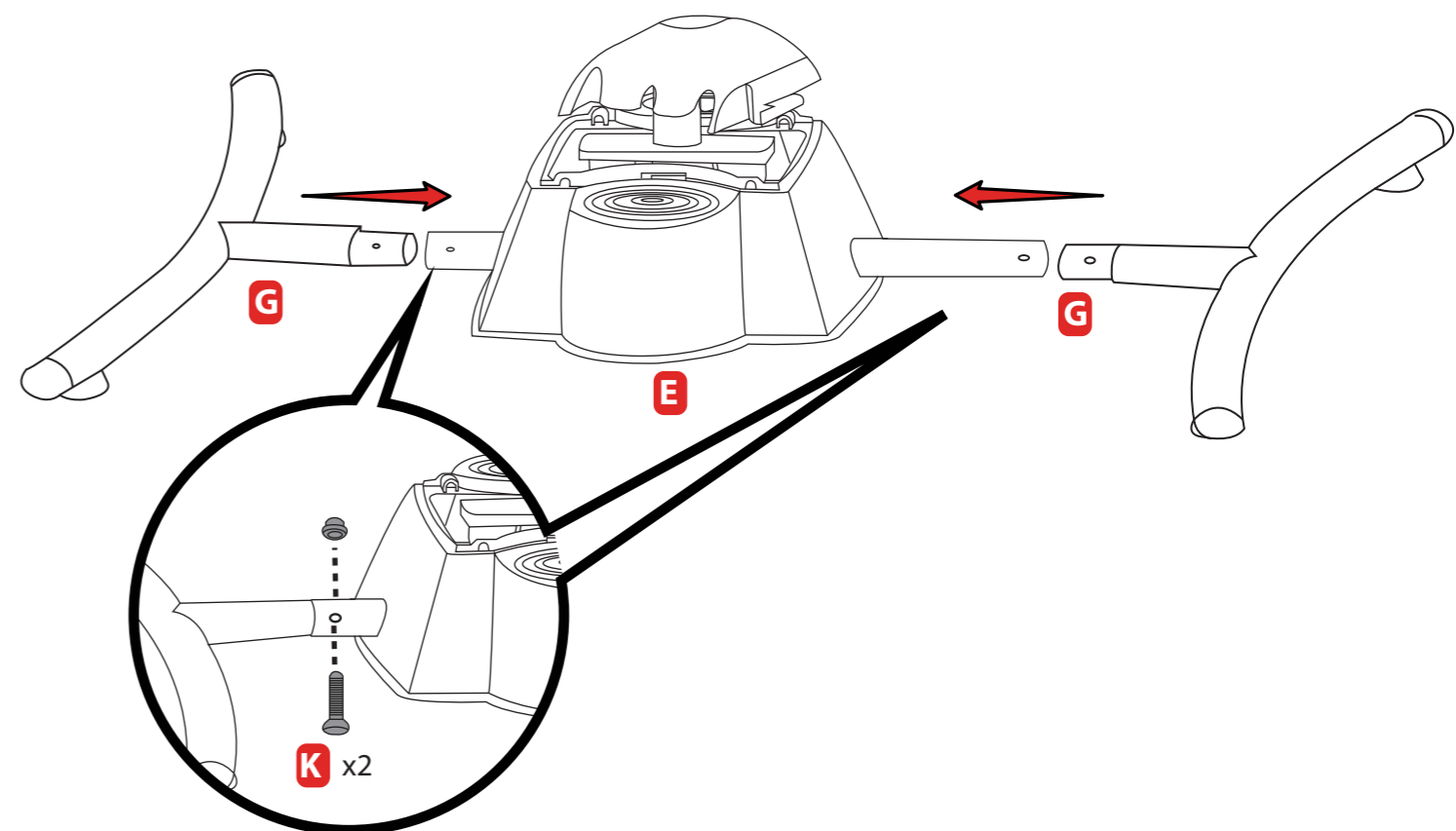
Before beginning, an adult must install fresh alkaline batteries. Here's how:

1. Using a Phillips screwdriver (not included), remove the screw and battery compartment cover located under the Handlebar's board.
2. Install three (3) fresh 1.5V AA (LR6) alkaline batteries (not included) making sure the (+) and (-) ends face the proper direction as indicated inside the battery compartment.
3. Replace the compartment cover and tighten the screw.



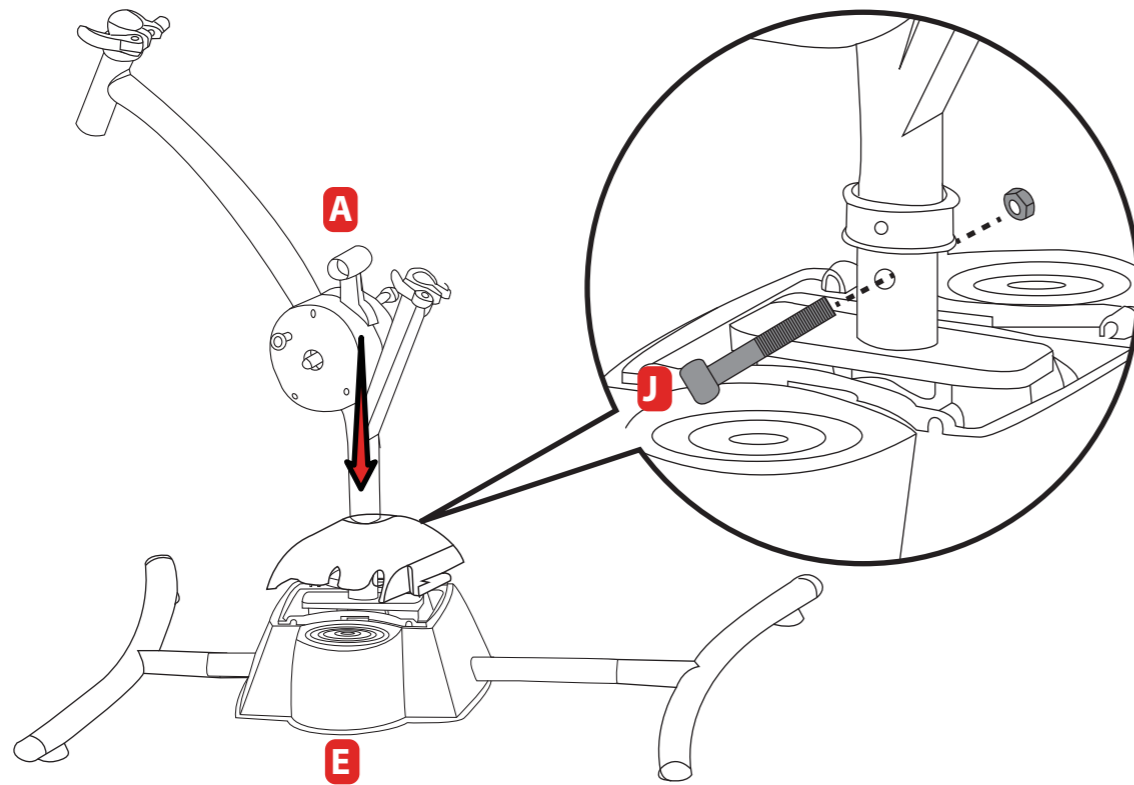
1 Start with the feet

Insert the tubes of the Feet (G) into the tubes on Base (E). Secure with two Bolts and Nuts (K).



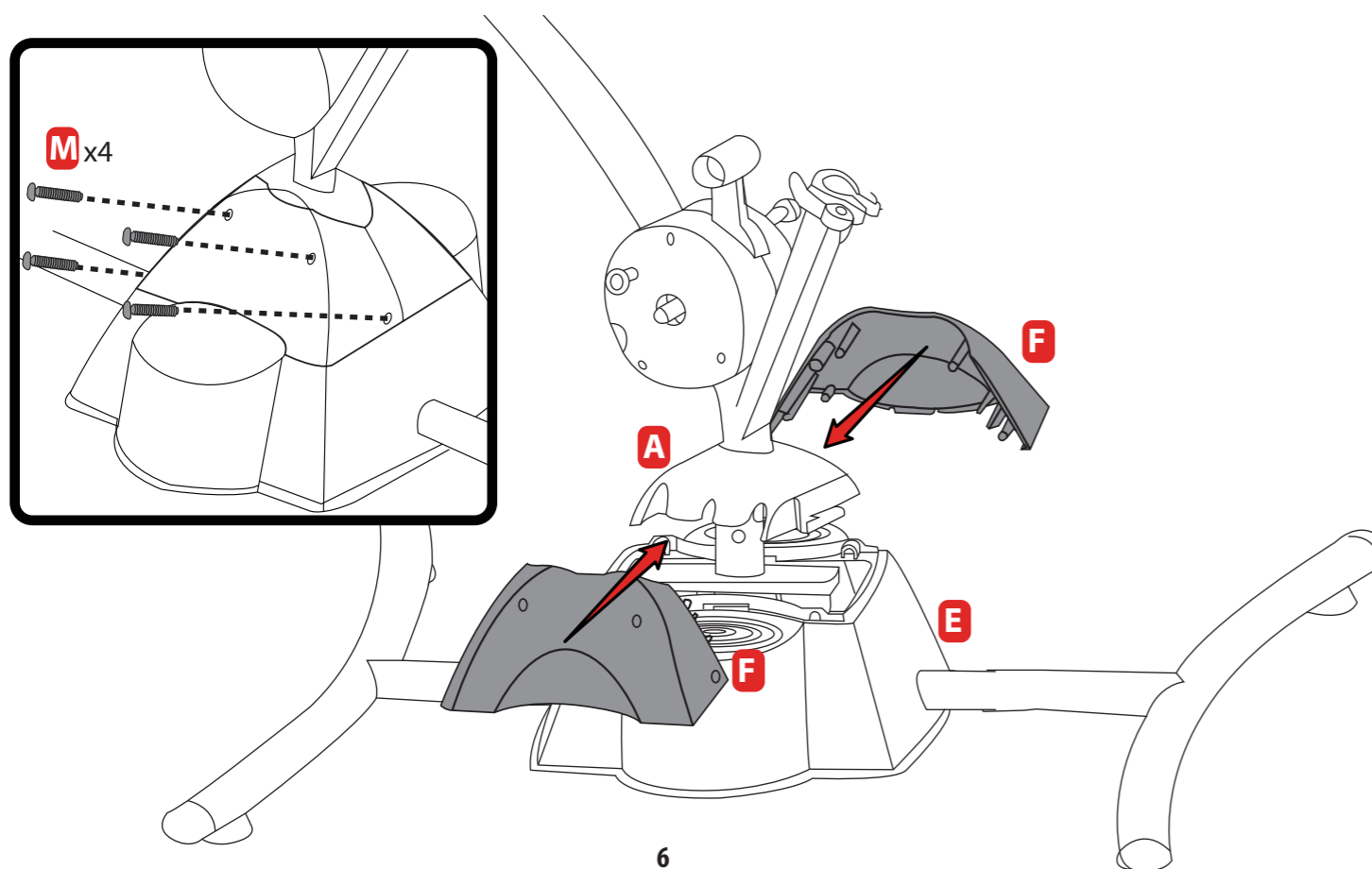
2 Add the frame

Insert the tube on the bottom of the Frame (A) into the tube on top of the Base (E). Secure with a Bolt and Nut (J).



3 Cover the base

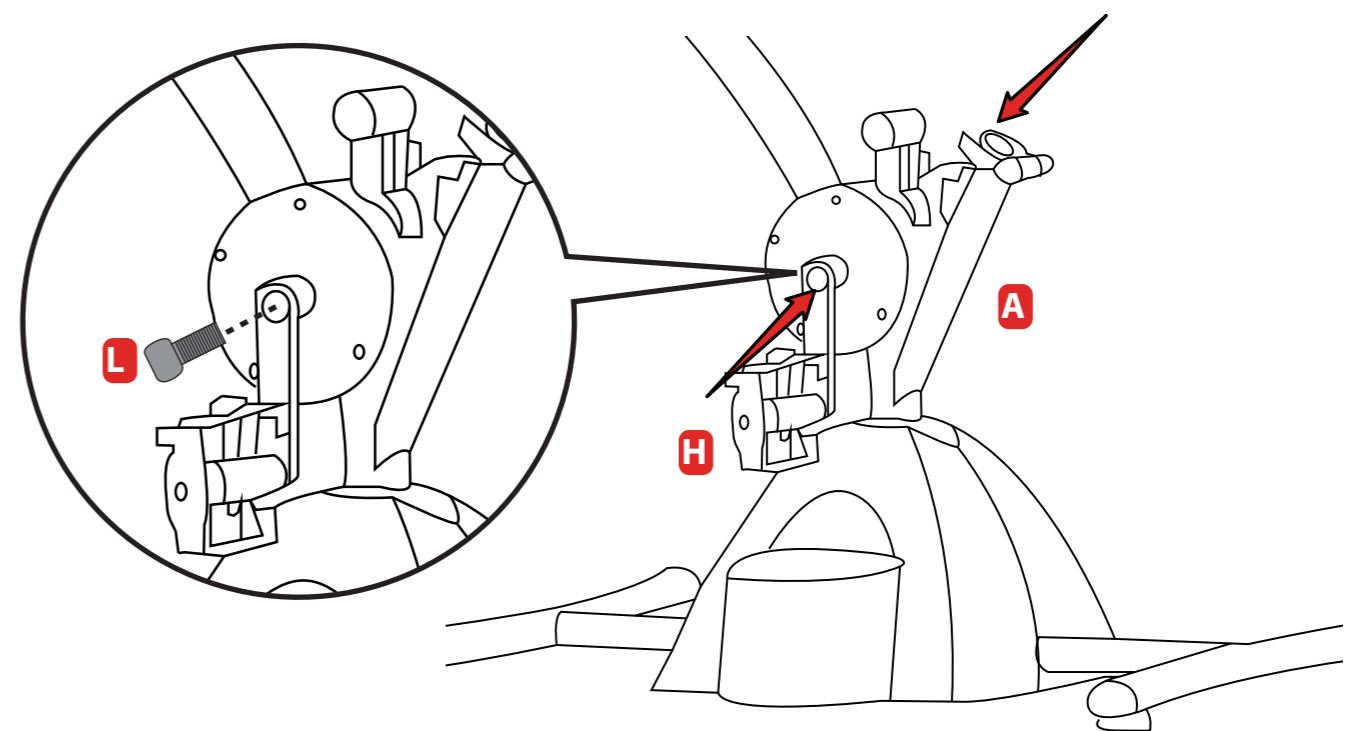
Place the Base Covers (F) over the Frame (A) and Base (E). Then, secure with four Screws (M).



6

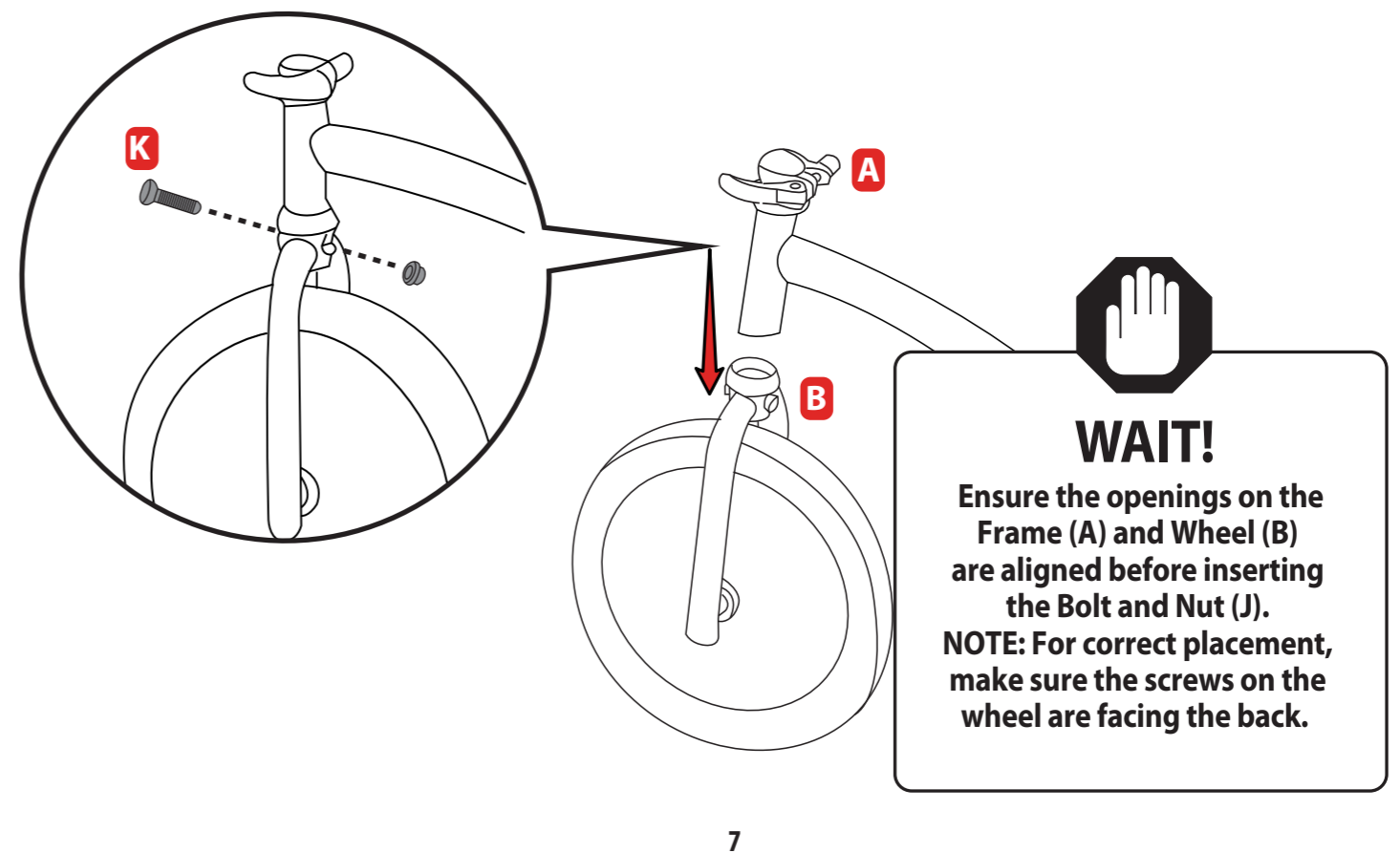
4 Add the pedal arms

Insert one Pedal Arm (H) into the Frame (A). Secure with one Bolt (L). Repeat on the other side.



5 Build the front of the cycle

Insert the front of the Frame (A) into the Wheel (B). Secure with a Bolt and Nut (K).



7